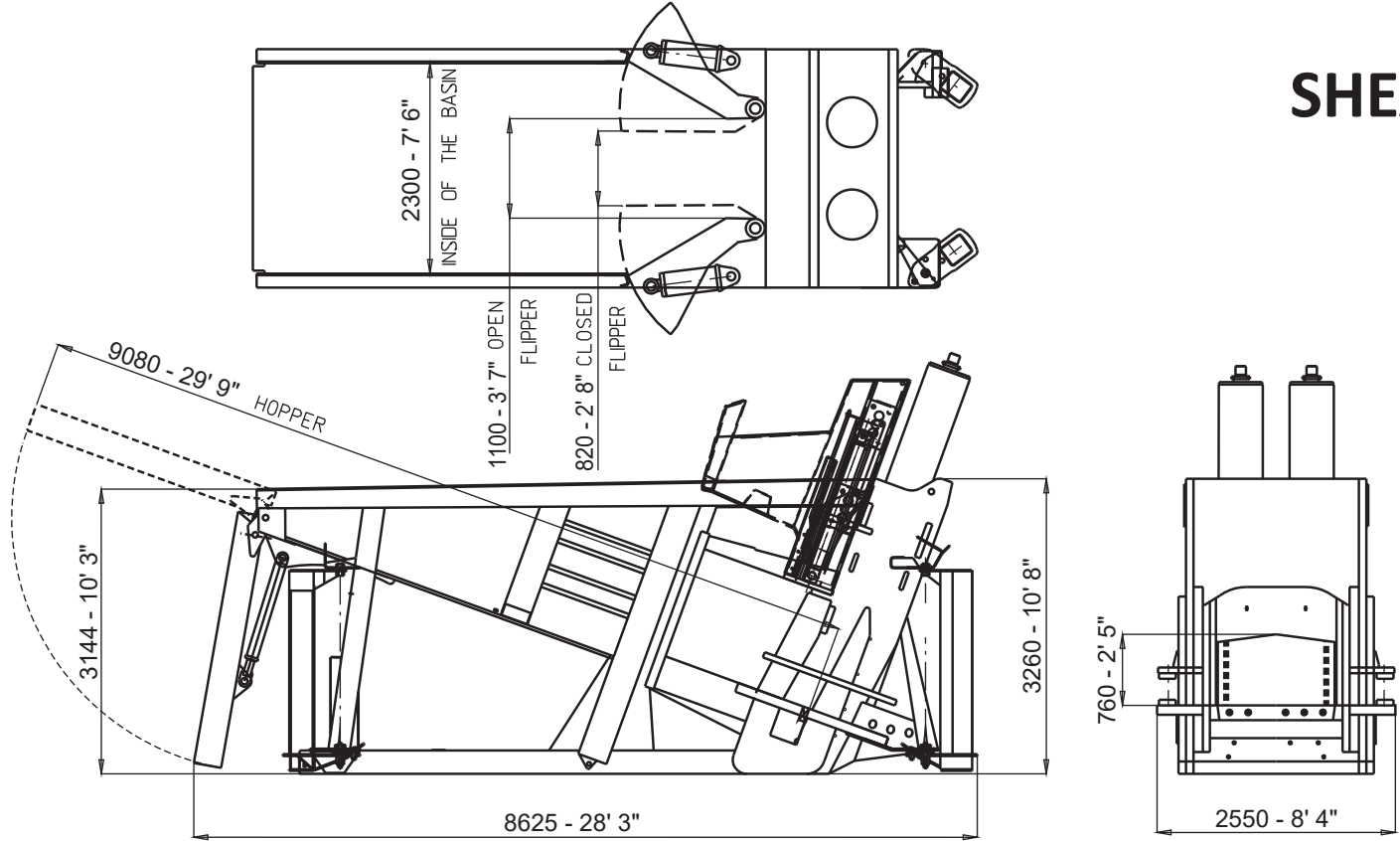


SHEAR SQUALO 2000 t



Standard diesel engine or electrical motor	160 kW
Diesel fuel consumption ~	16 l/h - 3,1, 3,5 gal/h
Productivity ≅	18, 22 tons/h
Weight of standard machine	61 tons
Adjustable length of shredded material	

TUTTI I DATI TECNICI POSSONO ESSERE CAMBIATI SENZA PREAVVISO - TOUS LES DONNÉES TECHNIQUES SONT SUJETTES A MODIFICATION SANS PREAVIS - ALL TECHNICAL DATA SUBJET TO CHANGE WITHOUT NOTICE -
 TODOS LOS DATOS TECNICOS PUEDEN SER CAMBIADOS SIN AVISO - ALLE ANDERUNGEN DER TECHNISHEN DATEN OHNE VORANKUNDINGUNG VERBEHALTEN