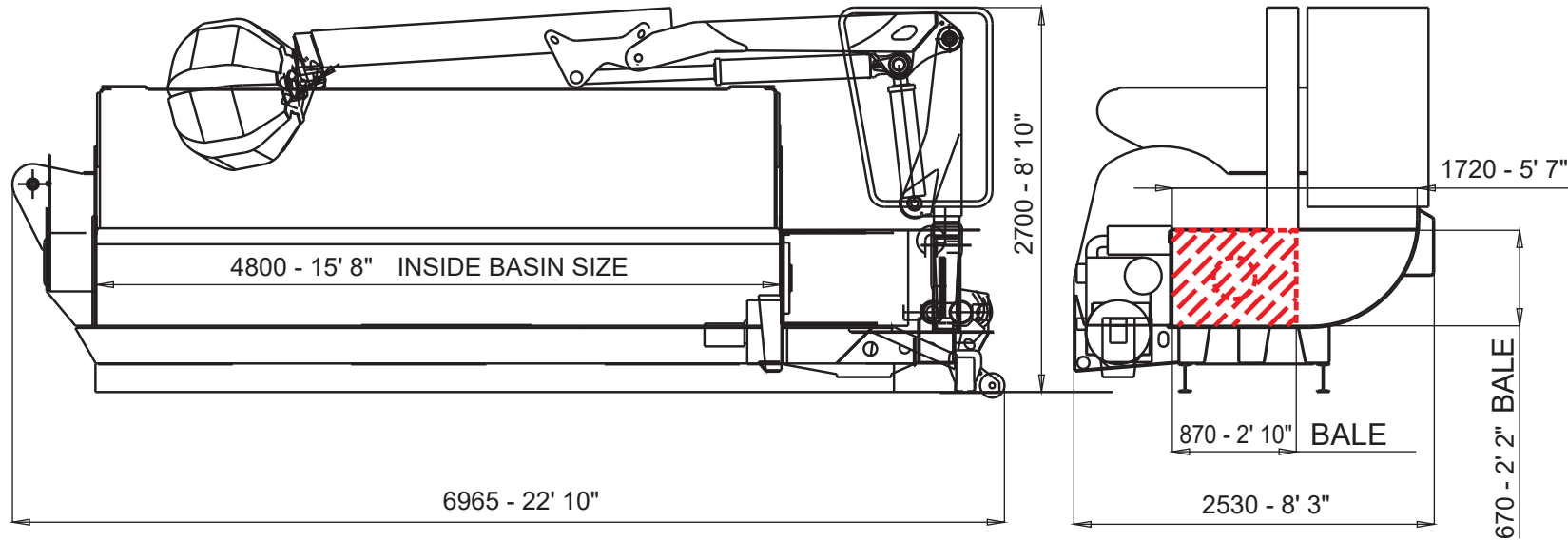


# ARIETE BALER



Standard diesel engine or electrical motor	55 Kw
Diesel fuel consumption ~	6, 7 l/h - 1,3, 1,5 gal/h
Productivity $\cong$	10, 12 ton/h
Available with or without loader	
Available with remote control and/or automatic cycle	
Can operate on truck or stationary on the ground	

TUTTI I DATI TECNICI POSSONO ESSERE CAMBIATI SENZA PREAVVISO - TOUS LES DONNÉES TECHNIQUES SONT SUJETTES A MODIFICATION SANS PREAVIS - ALL TECHNICAL DATA SUBJECT TO CHANGE WITHOUT NOTICE -  
 TODOS LOS DATOS TECNICOS PUEDEN SER CAMBIADOS SIN AVISO - ALLE ANDERUNGEN DER TECHNISHEN DATEN OHNE VORANKUNDIGUNG VERBEHALTHEN