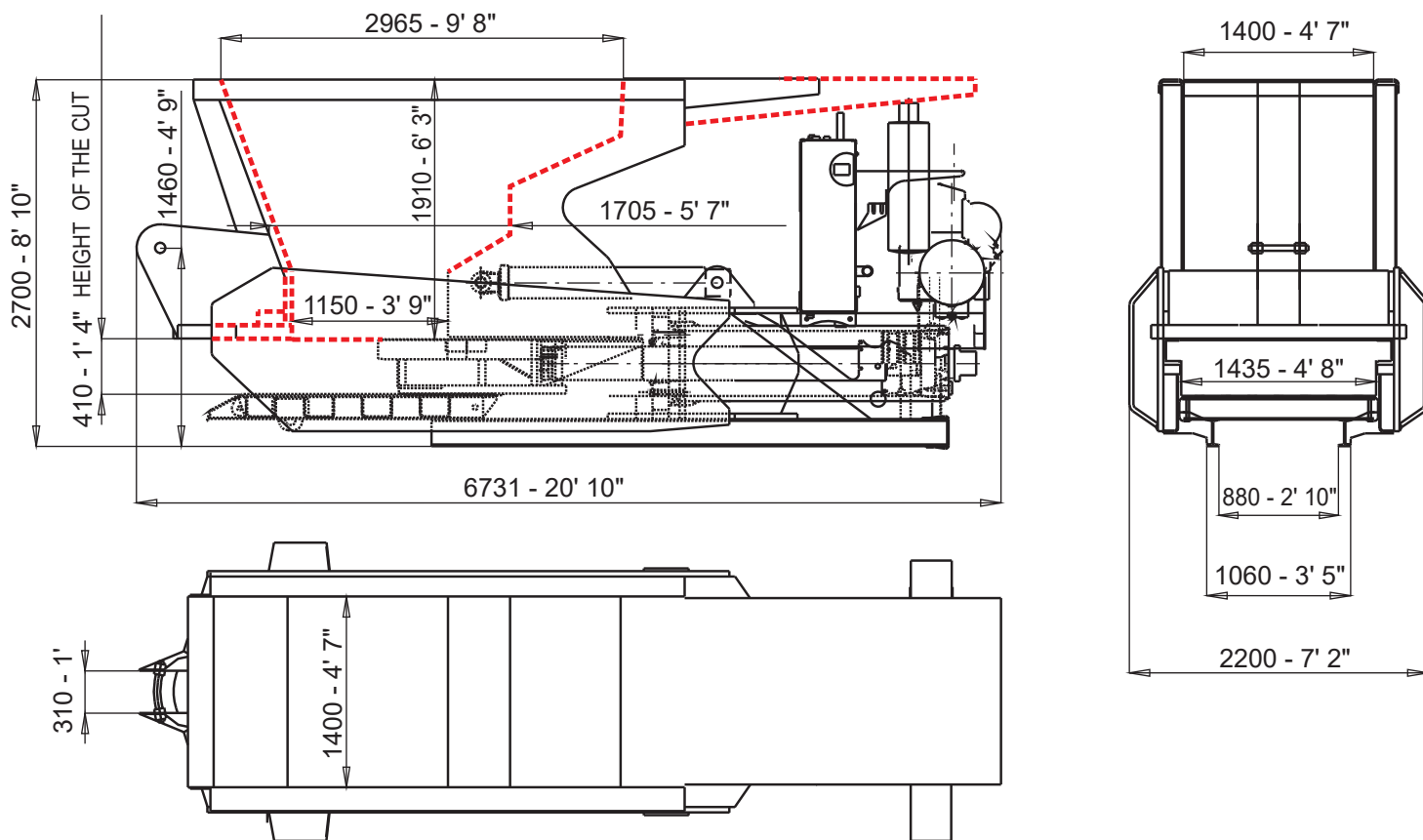


SQUALO 1000 t PORTABLE HORIZONTAL SHEAR



Standard diesel engine or electrical motor	90 Kw
Diesel fuel consumption ~	8, 10 l/h - 1,7, 2,2 gal/h
Productivity ≅	10, 12 ton/h
Weight of standard machine @	21 ton
Fully automatic working cycle	
Continuous centralized and automatic cycle greasing system	
Available even with radio remote control	

TUTTI I DATI TECNICI POSSONO ESSERE CAMBIATI SENZA PREAVVISO - TOUS LES DONNÉES TECHNIQUES SONT SUJETTES A MODIFICATION SANS PREAVIS - ALL TECHNICAL DATA SUBJET TO CHANGE WITHOUT NOTICE - TODOS LOS DATOS TECNICOS PUEDEN SER CAMBIADOS SIN AVISO - ALLE ANDERUNGEN DER TECHNISHEN DATEN OHNE VORANKUNDUNG VERBEHALTHEN